

Relax. It's an Altrex.

NEW!
BISOMAC 210 Traction Hoist



BISOMAC 210 TRACTION HOIST FOR MHB

Altrex received from her partner in Japan, NIHON BISOH, the exclusive rights for distributing the new CE-version of the BISOMAC 210 Traction Hoist

www.altrex.com



BISOMAC 210 Traction Hoist for A

BISOMAC 210 Traction Hoist: for Altrex Modular Suspended Platform System (MHB). Developed with NIHON BISCO for the new era of ultra-high-rise buildings. Easy to maintain and highly durable, this full-powered, full-featured hoist has exclusive rights for distributing the new CE-version of the BISOMAC 210 Traction Hoist.

Quality

• Safety

- CE approved
- Designed to assure idiotproof operation and prevent malfunctions
- Integrated devices include: Overload Device, Slack Rope Device, Upper/ultimate Limit, Rope End Limit (Optional: Overspeed Device)

- Long lifetime of all the components

Exclusive patented Sheave System

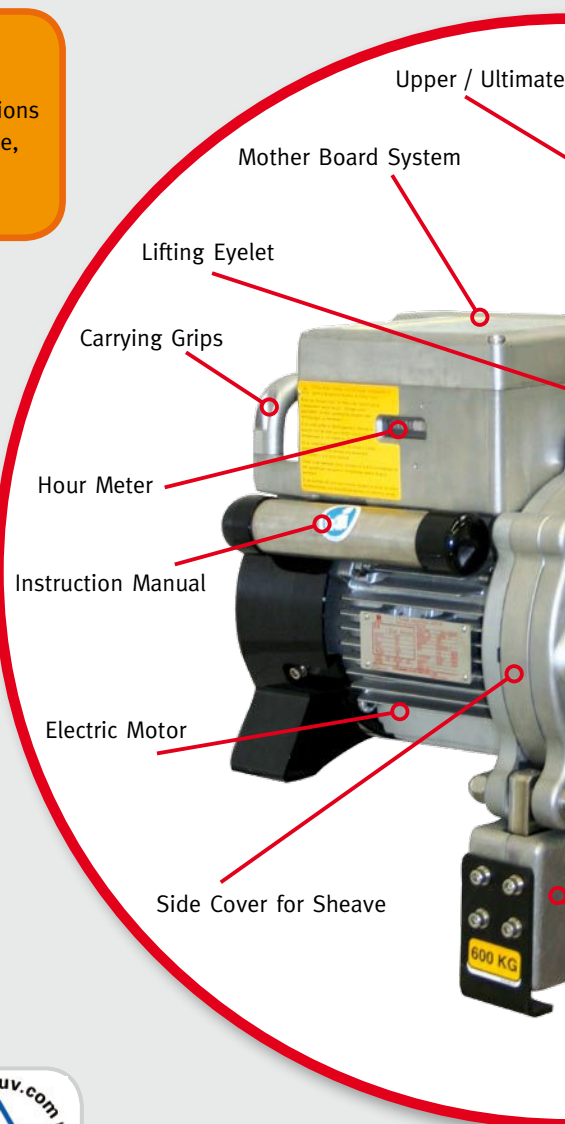
• Patented Sheave System

- Accuracy of the speed
- Also suitable for ultra-high-rise buildings
- Made of "Samurai" steel

• Highly durable: long lifetime of all the components

- High quality of the parts in- and outside of the hoist
- Strong aluminium casting
- Many components from stainless steel

3Q: Quality, Quiet, Safe



Quiet

• Quiet

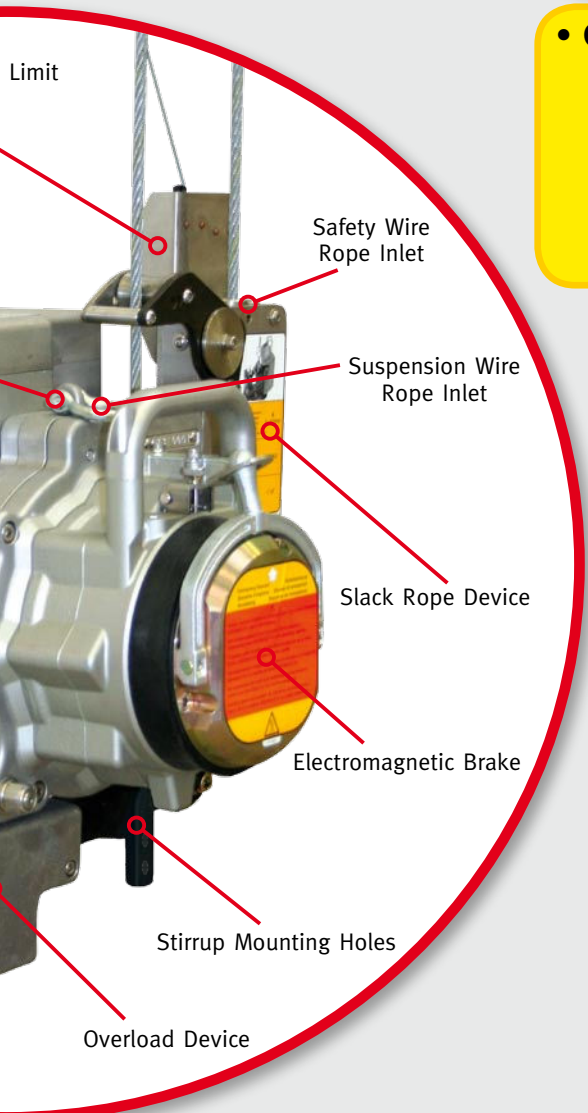
- 50% less noise comparing to other hoists
- Important by working on buildings
- Quietness is a proof of the quality

Relax. It's an Altrex.

Altrex Suspended Platform (MHB)

Altrex's exclusive advanced technology, the new BISO MAC 210 Traction Hoist is the next-generation traction hoist. This traction hoist is remarkably compact and lightweight. Altrex got from her partner in Japan, NIHON BISOH, the

Quiet and Quick



other hoists
 building where people work inside
 accuracy

Quick

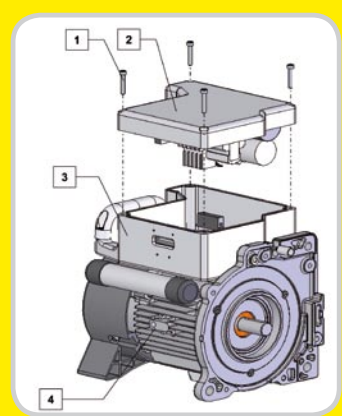
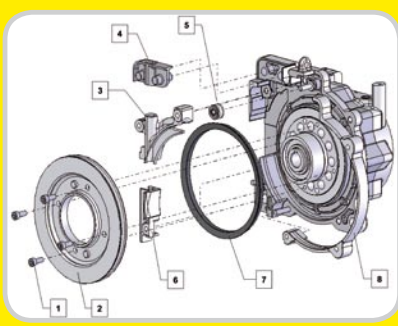
- **Quick and user-friendly handling**
 - Remarkably compact and lightweight
 - Hoist and Central control box can be handled simple
 - Central controlbox operates all both hoists
 - Well balanced Two Ergonomic Carrying Grips for easy handling
 - Wire rope inlet is easy without tools needed
 - Easy storage because of balanced design
 - Manual is very clear

200 m Non-Stop

- **Quick performance**
 - Very capable of absorbing Voltage Drops Assuring Smooth, Steady Lifting for Skyscrapers
 - 200 m non-stop: due to the perfect cooling system for the motor

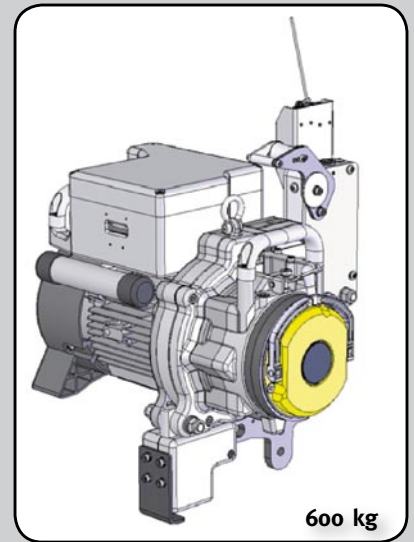
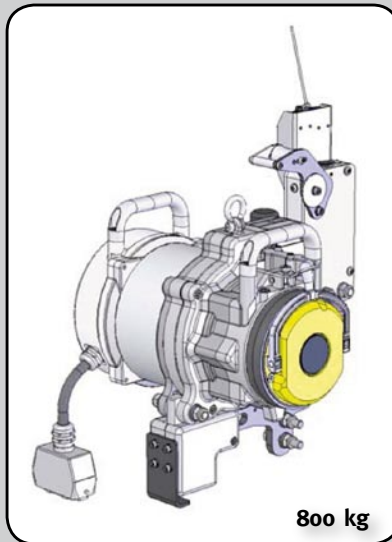
Annual maintenance in 45 minutes!

- **Quick and less maintenance**
 - Substantial less components
 - Only few components to be checked for wear and tear
 - Designed for easy and quick assembly and disassembly from one side
 - Mother Board System with all electrical components is easy removable by removing only 4 bolts



BISOMAC 210 Traction Hoist Specifications

Rate load	800 kg	600 kg
Lifting speed	8.5 m/min.	8.5 m/min.
Electric motor	1.5 kW	1.5 kW
Voltage	400 V	230 V
Phase	3-phase, 50 Hz	1-phase, 50 Hz
Diameter	9-9.5 mm	9-9.5 mm
Control	Central	Central
Dimensions	504 x 386 x 377 mm	504 x 386 x 455 mm
Weight	54 kg	56.5 kg



Perfect partnership Altrex and NIHON BISOH!



Fits on both stirrups



NIHON BISOH **B V E**
Building Value Engineering

- BISOMAC 210: developed by NIHON BISOH
- The biggest rental company of the world with over 10.000 hoists
- Works with Altrex Modular Suspended Platform System
- Produces already for over 40 years high quality Traction Hoists
- Proved system of new BISOMAC 210 with Altrex suspended platforms (MHB): hoists already in use in Japan and USA. Now also in Europe!

Relax. It's an Altrex.

www.altrex.com

